

1. Intended use:

Due to its design, the ARAD1S enclosure is intended for mounting inside RACK 19" cabinets. This general-purpose enclosure may serve as an auxiliary element for integrating CCTV, AC, I&HAS, RTV, LAN systems in RACK 19" cabinets. It is intended for mounting alarm control panels, AC controllers, power supply units, batteries, etc.

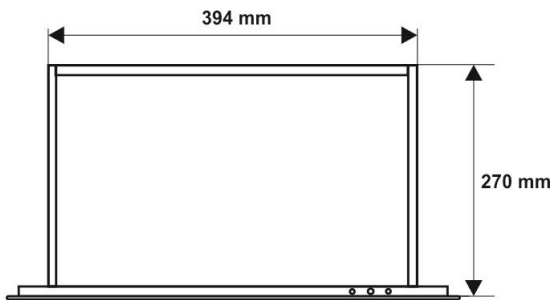
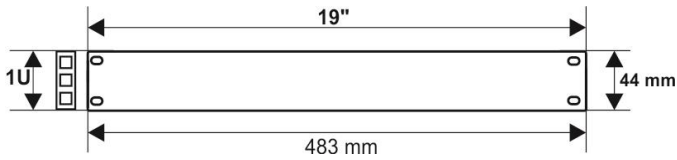
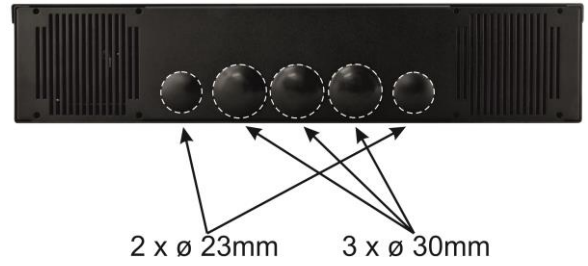
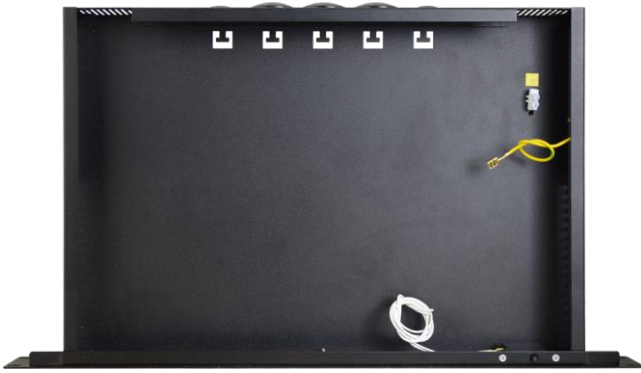
2. Description

The enclosure is designed for mounting any type of electronics with small dimensions. The enclosure accommodate it features tampering protection (against unwanted opening). To enable leading cables into the enclosure, one can buy a cable protection conduit of any length and a cable gland. The conduits and the cable glands are available at the following codes:

- 1) **ARAP16P** – cable gland, inside diameter 16 mm – connection between the protection conduit and the enclosure
- 2) **ARAP21P** – cable gland, inside diameter 21 mm – connection between the protection conduit and the enclosure
- 3) **MM019** – cable protection conduit, inside diameter 16 mm
- 4) **MM020** – cable protection conduit, inside diameter 21 mm

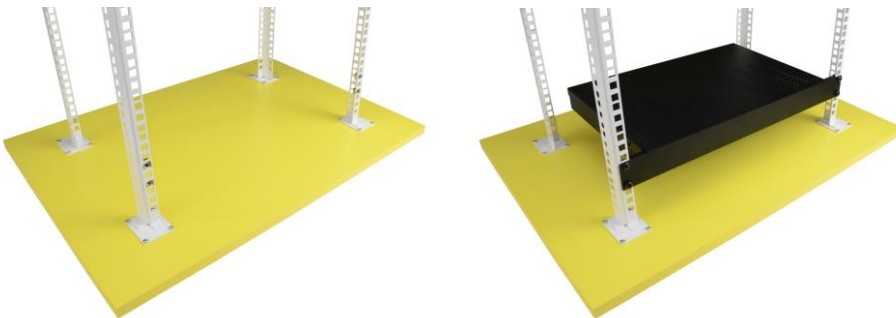
The **ARAD1S** enclosure has a space for up to 2x ARAP16P and 3x ARAP21P cable glands.





3. Assembling instructions:

The ARAD1S enclosure is butt mounted to RACK 19" profiles, the front part is the load-bearing part of the enclosure. For this method of installation, a load capacity is up to 2 kg.



4. Accessories:

Wires can be introduced in three ways:

- a) - Through rubber grommets,
- b) - Using the MM019/MM020 protection tubes,
- c) - Using the MM019/MM020 protection tubes and the ARAP16P/ARAP21P cable glands.



5. Specifications

SPECIFICATIONS	
Tampering protection	1x – against unwanted opening of the enclosure
Max. load of TAMPER output	500mA@50VDC
Enclosure: IP	IP 20
Operation temperature	-10°C÷40°C
Relative humidity RH – max.	90 [%]
Internal dimensions (W x H x D)	390 x 40 x 265 [-/+2] [mm]
Materials	Sheet metal DC01, 1,0mm thick + front panel thickness: 1,5mm Rust protection Colour: RAL 9005 BLACK
Use	inside
Net weight	~2,52 [kg]
Gross weight	~2,80 [kg]
Declarations, warranty	CE, 2 year from the production date

PRODUCENT / PRODUCER

Pulsar
Siedlec 150,
32-744 Łapczyca, Poland
Tel. (+48) 14-610-19-40, Fax. (+48) 14-610-19-50
e-mail: biuro@pulsar.pl, sales@pulsar.pl
http:// www.pulsar.pl, www.zasilacze.pl